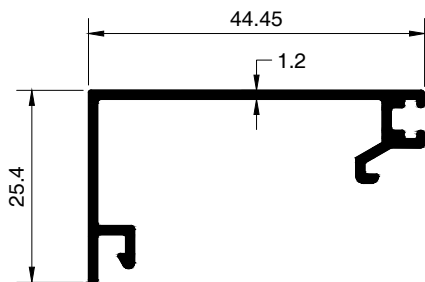
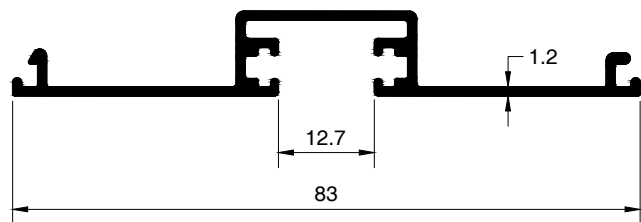


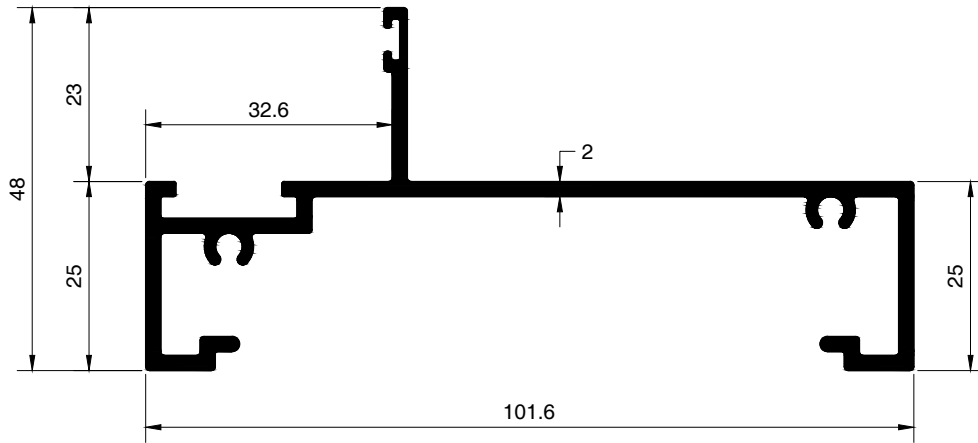
MN-U5793
0.811 KG./M.



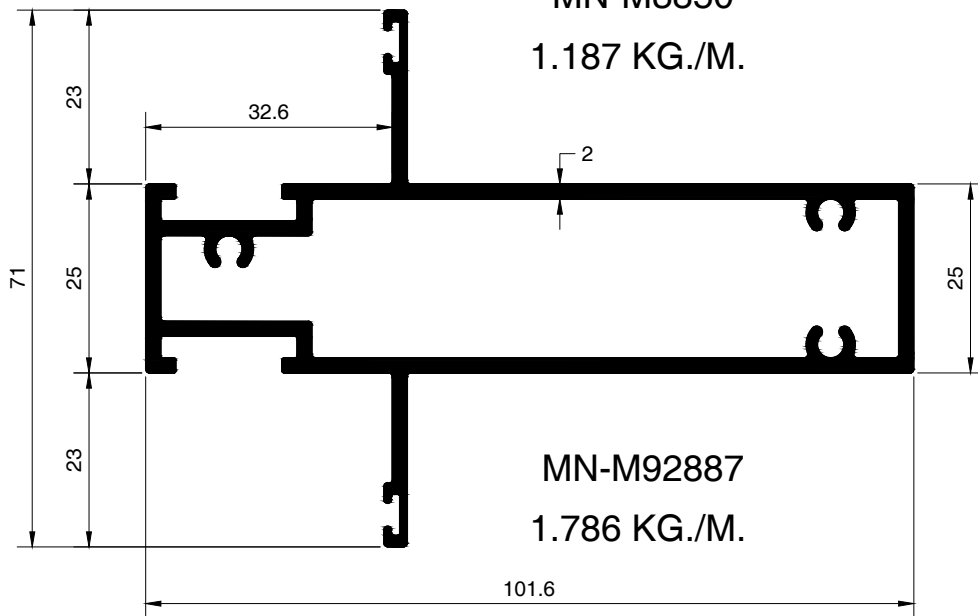
MN-U5794
0.335 KG./M.



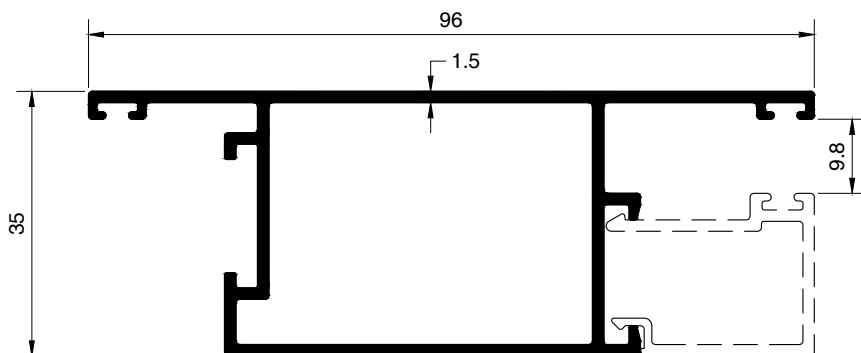
MN-U5795
0.472 KG./M.



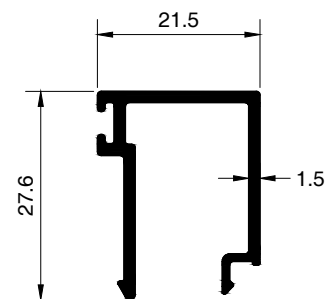
MN-M3850
1.187 KG./M.



MN-M92887
1.786 KG./M.



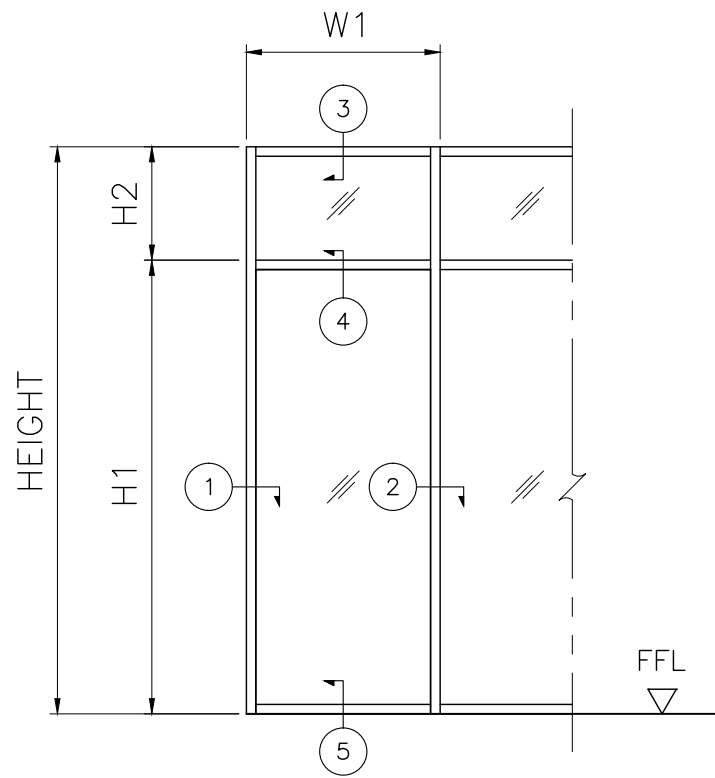
MN-M50166
0.999 KG./M.



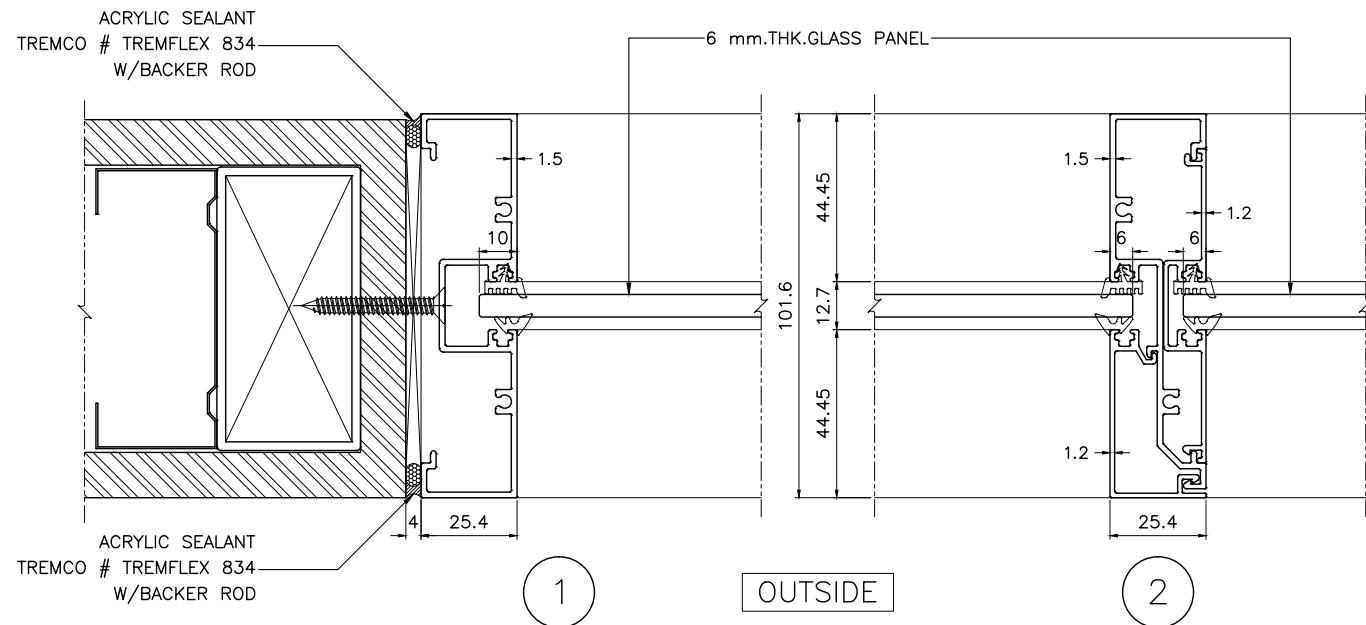
MN-M50165
0.324 KG./M.

INTERIOR WORK

PROJECT :
TYPICAL DETAILS
(INTERIOR)



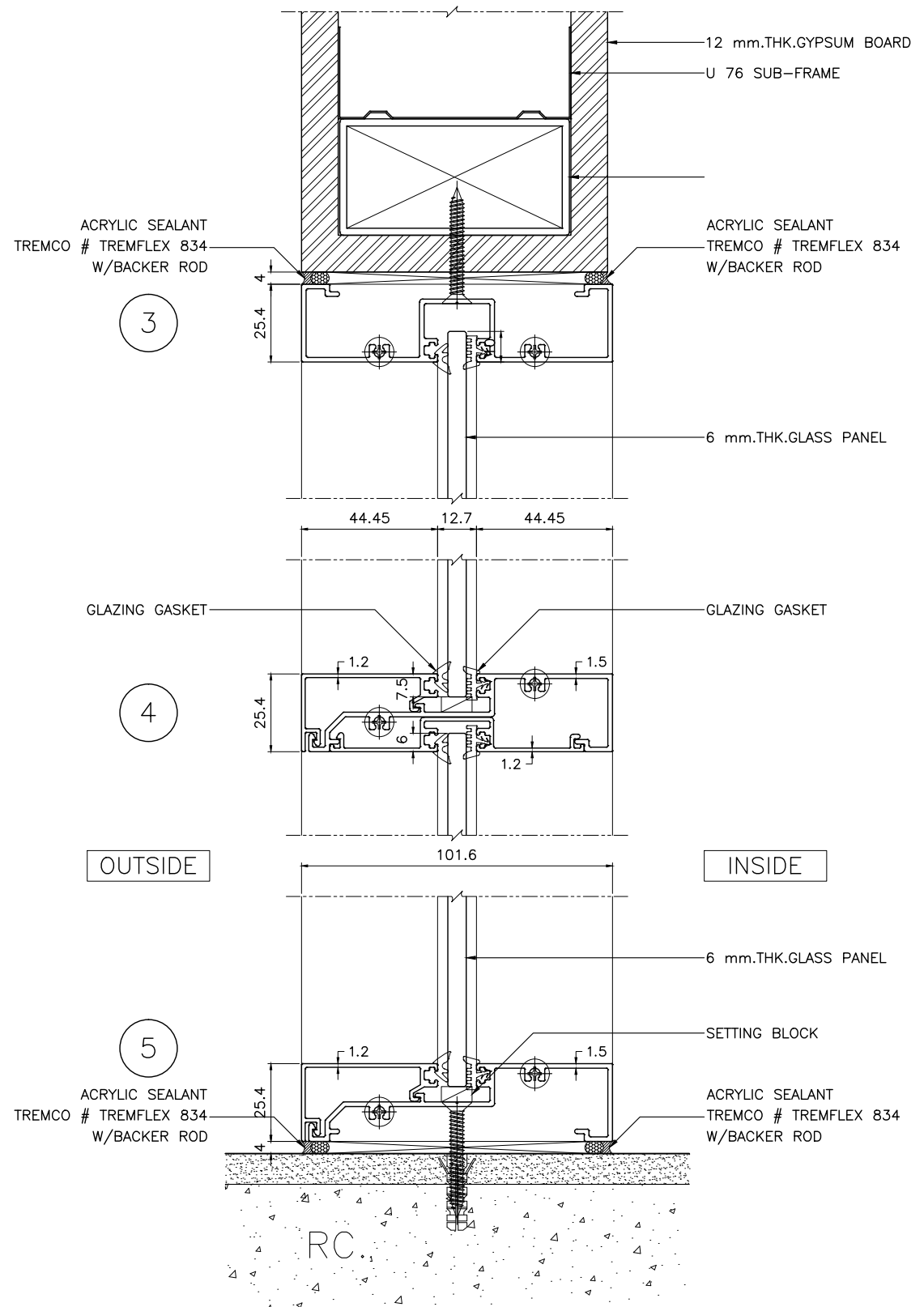
INSIDE



INSIDE

OUTSIDE

HORIZONTAL SECTION DETAILS
SCALE 1 : 2



OUTSIDE

INSIDE

VERTICAL SECTION DETAILS
SCALE 1 : 2

LOCATION :

OWNER :

DESIGNER :

CONTRACTOR :

SUPPLIER :

MN บริษัท แม่นิคมโลหะอุตสาหกรรม จำกัด
METAL SUPPLY MAE NUM METAL SUPPLY CO.,LTD.
1344/13-19 Rama 3 Rd., Soi 52, Chongnonsee,
Yannawa, Bangkok 10120 THAILAND.
Tel : +66 2 294 7479 Fax : +66 2 294 6429
E-mail : info@maenum.com

INSTALLATION :

ProMasS Promass International Co.,Ltd.
1344/17 Rama 3 Rd., Soi 52, Chongnonsee,
Yannawa, Bangkok 10120 THAILAND.
Tel : +66 2 681 8283 Fax : +66 2 284 3185
E-mail : info@promass.co.th

REV.	DESCRIPTIONS	DATE

DRAWING TITLE :
FIXED WINDOW
INSTALLATION DETAILS

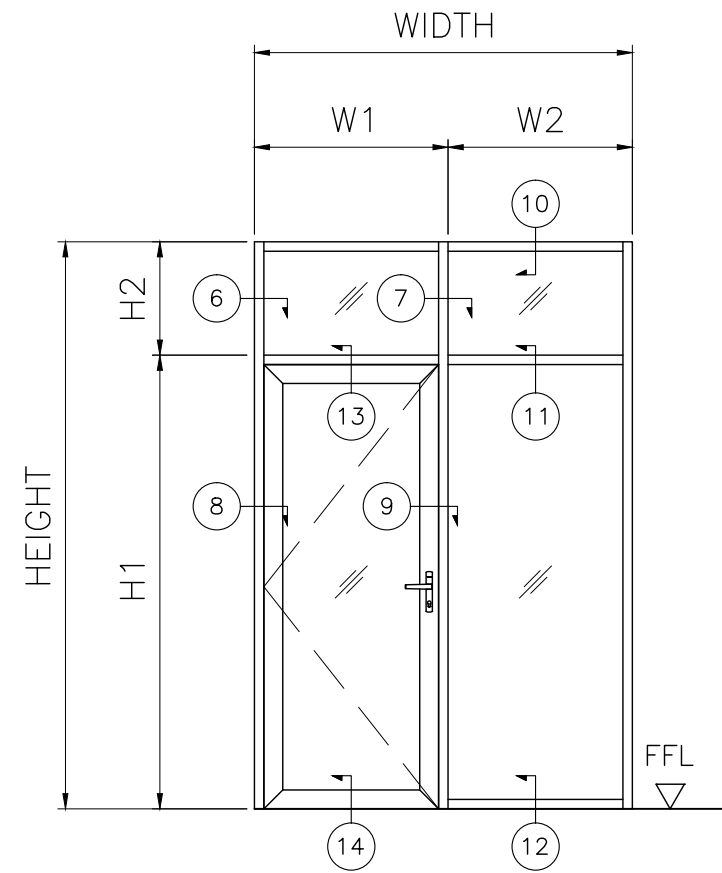
DRAWN BY : TEERAPONG T.

CHECKED BY : TEERAPONG T.

ISSUE DATE 18/11/2015
DRAWING NO. DT-01
SCALE AS SHOW

These drawing are the property of MNG maenum group or the firm mentioned their and not to be used or reproduced without written permission.

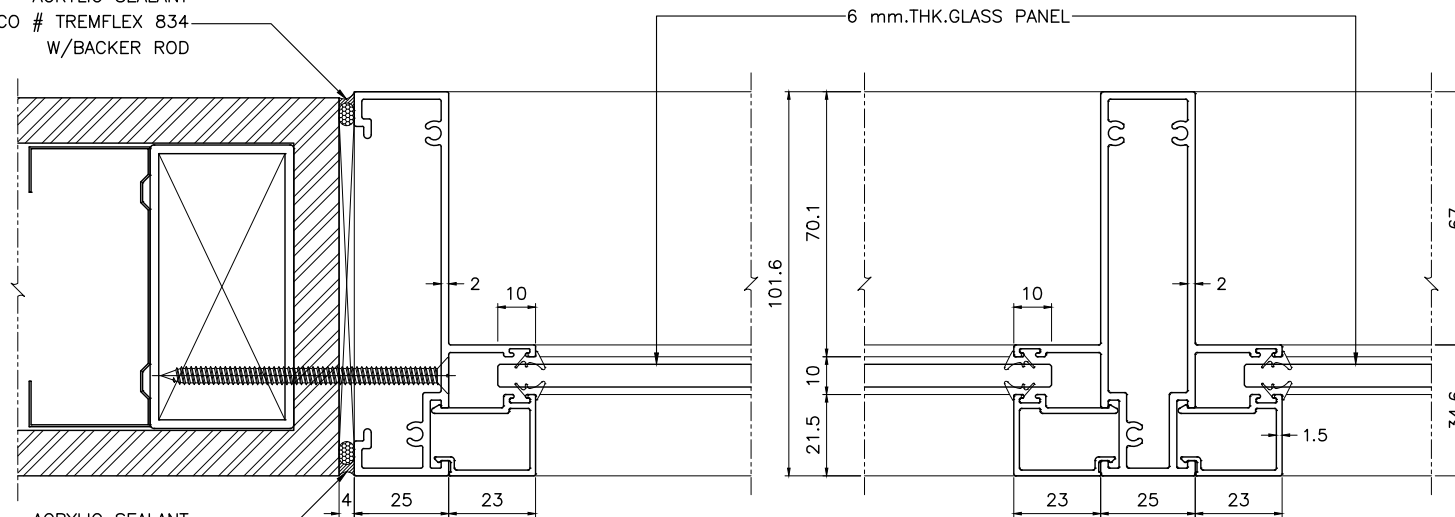
INTERIOR WORK



ACRYLIC SEALANT
TREMCO # TREMFLEX 834
W/BACKER ROD

ACRYLIC SEALANT
TREMCO # TREMFLEX 834
W/BACKER ROD

INSIDE



OUTSIDE

6

7

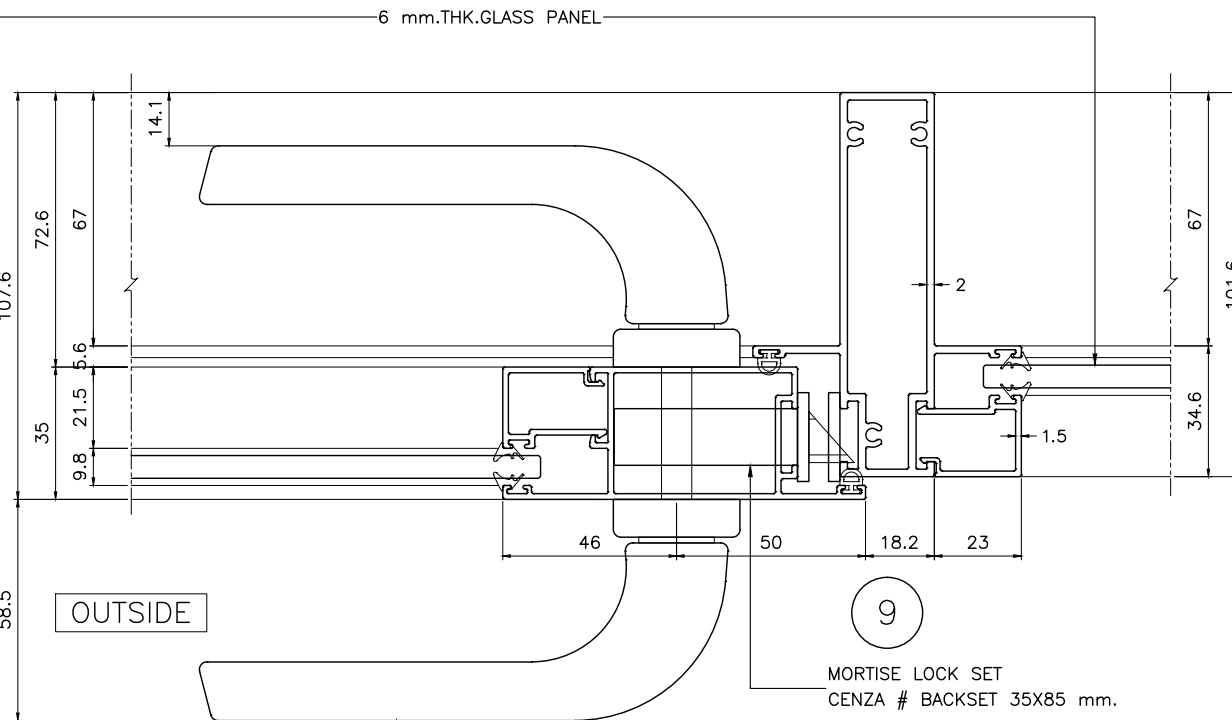
INSIDE

ACRYLIC SEALANT
TREMCO # TREMFLEX 834
W/BACKER ROD

ACRYLIC SEALANT
TREMCO # TREMFLEX 834
W/BACKER ROD

PIVOT HINGE
CENZA # CZ-PH-02A

6 mm.THK.GLASS PANEL



OUTSIDE

9

MORTISE LOCK SET
CENZA # BACKSET 35X85 mm.

LEVER HANDLE
CENZA # CZ-300A

8

HORIZONTAL SECTION DETAILS

SCALE 1 : 2

PROJECT :

TYPICAL DETAILS
(INTERIOR)

LOCATION :

OWNER :

DESIGNER :

CONTRACTOR :

SUPPLIER :

MN บริษัท แม่นิคมโลหะซัพพลาย จำกัด
METAL SUPPLY MAE NUM METAL SUPPLY CO.,LTD.
1344/13-19 Rama 3 Rd., Soi 52, Chongnonsee,
Yannawa, Bangkok 10120 THAILAND.
Tel : +66 2 294 7479 Fax : +66 2 294 6429
E-mail : info@maenum.com

INSTALLATION :

ProMasS Promass International Co.,Ltd.
1344/17 Rama 3 Rd., Soi 52, Chongnonsee,
Yannawa, Bangkok 10120 THAILAND.
Tel : +66 2 681 8283 Fax : +66 2 284 3185
E-mail : info@promass.co.th

REV.	DESCRIPTIONS	DATE

DRAWING TITLE :

CASEMENT DOOR & FIXED
INSTALLATION DETAILS

DRAWN BY : TEERAPONG T.

CHECKED BY : TEERAPONG T.

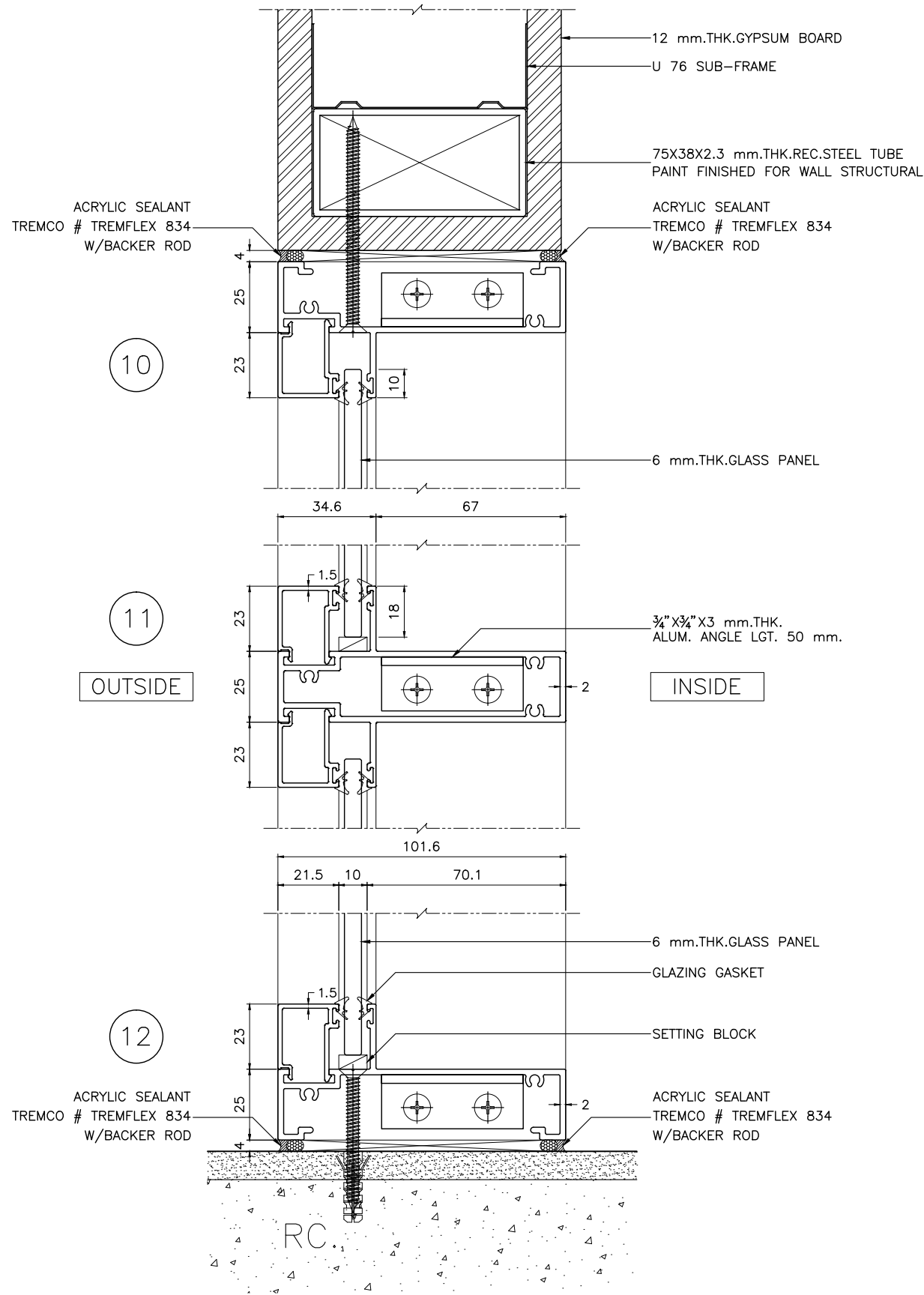
ISSUE DATE
18/11/2015

DRAWING NO.
DT-02

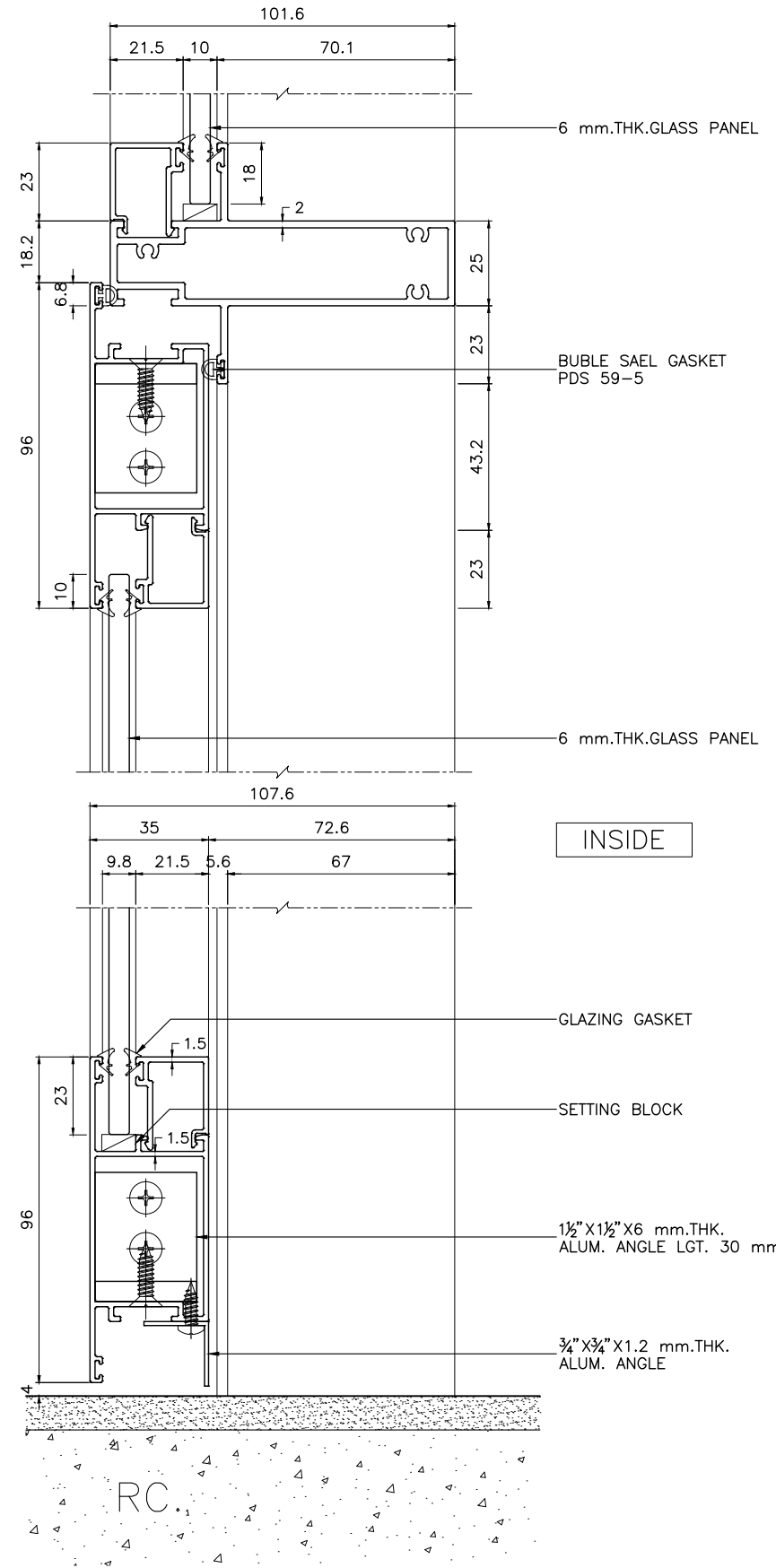
SCALE
AS SHOW

These drawing are the property of MNG maenum group or the firm mentioned their and not to be used or reproduced without written permission.

INTERIOR WORK



13



VERTICAL SECTION DETAILS
SCALE 1 : 2

PROJECT :

TYPICAL DETAILS (INTERIOR)

LOCATION :

OWNER :

DESIGNER :

CONTRACTOR :

SUPPLIER :

MN บริษัท แม่น้ำมิทอลซัพพลาย จำกัด
METAL SUPPLY MAE NUM METAL SUPPLY CO.,LTD.
1344/13-19 Rama 3 Rd., Soi 52, Chongnonsee,
Yannawa, Bangkok 10120 THAILAND.
Tel : +66 2 294 7479 Fax : +66 2 294 6429
E-mail : info@maenum.com

INSTALLATION :

ProMasS. Promass International Co.,Ltd.
1344/17 Rama 3 Rd., Soi 52, Chongnonsee,
Yannawa, Bangkok 10120 THAILAND.
Tel : +66 2 681 8283 Fax : +66 2 284 3185
E-mail : info@promass.co.th

REV.	DESCRIPTIONS	DATE

DRAWING TITLE :

CASEMENT DOOR & FIXED INSTALLATION DETAILS

DRAWN BY : TEERAPONG T.

CHECKED BY : TEERAPONG T.

ISSUE DATE
18/11/2015

DRAWING NO.
DT-03

SCALE
AS SHOW

These drawing are the property of MNG maenum group or the firm mentioned their and not to be used or reproduced without written permission.